

9-Line Low Capacitance SCSI Active Terminator

FEATURES

- Complies with SCSI, SCSI-2 and SPI-2 Standards
- 3pF Channel Capacitance during Disconnect
- 100µA Supply Current in Disconnect Mode
- Meets SCSI Hot Plugging Capability
- -400mA Sourcing Current for Termination
- +400mA Sinking Current for Active Negation
- Logic Command Disconnects all Termination Lines
- Trimmed Termination Current to 5%
- Trimmed Impedance to 5%
- Current Limit and Thermal Shutdown Protection

DESCRIPTION

The UC5613 provides 9 lines of active termination for a SCSI (Small Computer Systems Interface) parallel bus. The SCSI standard recommends active termination at both ends of the cable segment.

The UC5613 provides a disconnect feature which, when opened or driven high, disconnects all terminating resistors and disables the regulator greatly reducing standby power. The output channels remain high impedance even without Tempwr applied. A low channel capacitance of 3pF allows units at interim points of the bus to have little or no effect on the signal integrity.

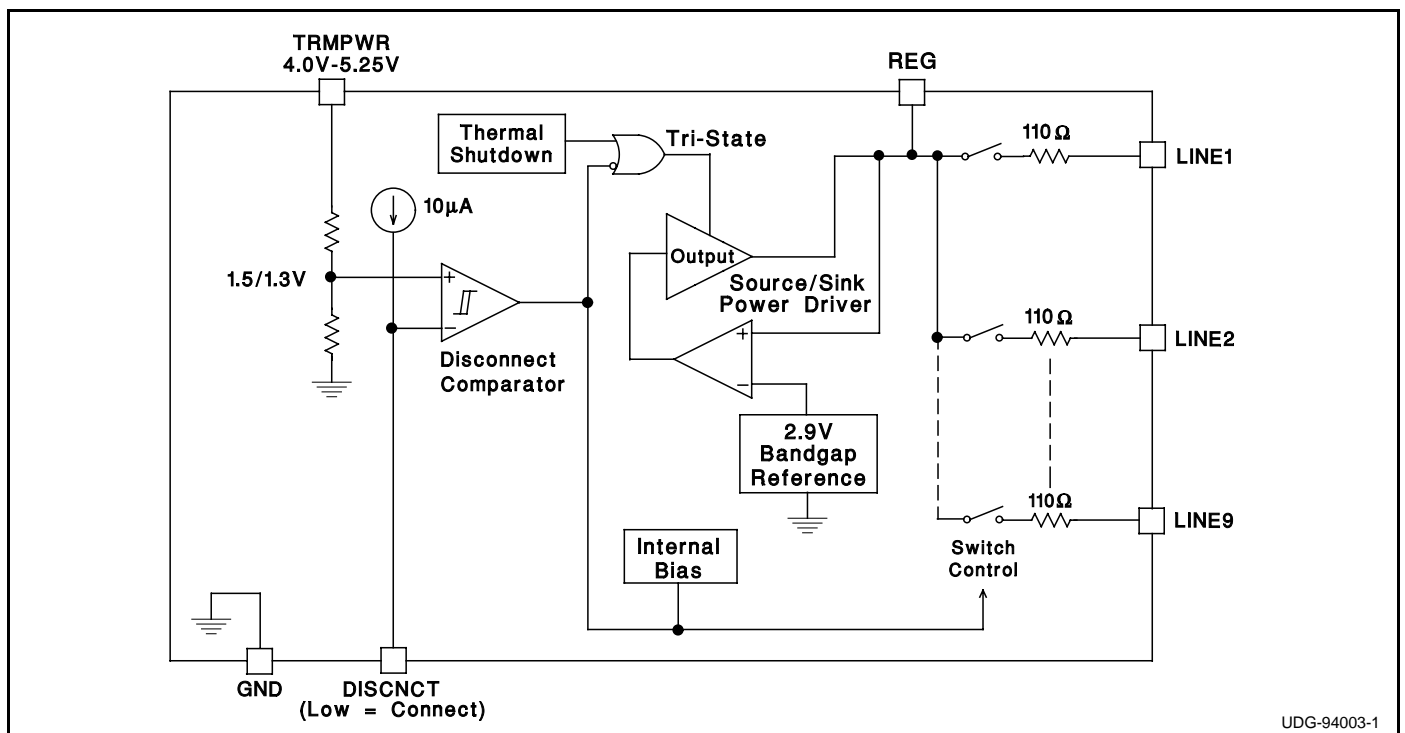
The UC5613 is pin-for-pin compatible with its predecessor, the UC5603 - 9 line Active Terminator. The only functional difference between the UC5613 and UC5603 is the absence of the negative clamps. Parametrically, the UC5613 has a 5% tolerance on impedance and current compared to a 3% tolerance on the UC5603. Custom power packages are utilized to allow normal operation at full power (1.2 watts).

Internal circuit trimming is utilized, first to trim the impedance to a 5% tolerance; then, the output current is trimmed to a 5% tolerance. The output current trim is set as close as possible to the maximum value of the SCSI specification which maximizes the noise margin for fast SCSI operation.

Other features include thermal shutdown and current limit.

This device is offered in low thermal resistance versions of the industry standard 16 pin narrow body SOIC, 16 pin ZIP (zig-zag in line package), and 24 pin TSSOP.

BLOCK DIAGRAM



UDG-94003-1

Circuit Design Patented

ABSOLUTE MAXIMUM RATINGS

Tempwr Voltage	+7V
Signal Line Voltage	0V to +7V
Regulator Output Current	0.5A
Storage Temperature	-65°C to +150°C
Operating Temperature	-55°C to +150°C
Lead Temperature (Soldering, 10 Sec.)	+300°C

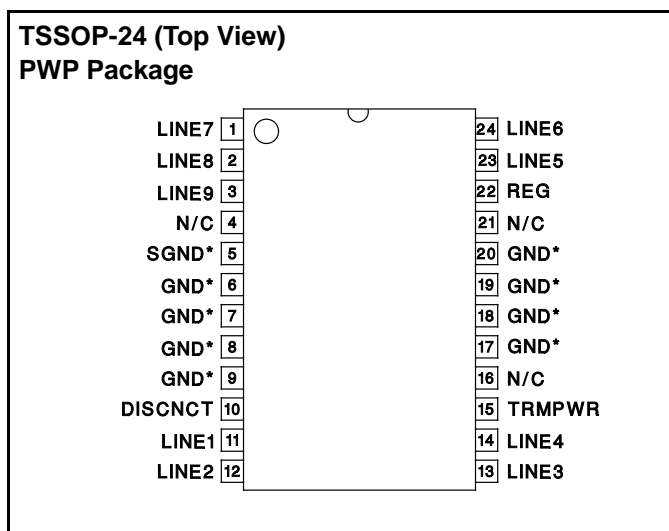
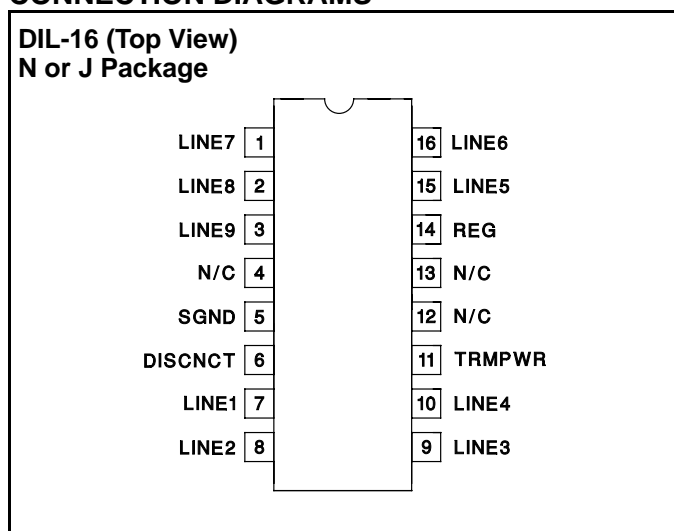
Unless otherwise specified all voltages are with respect to Ground. Currents are positive into, negative out of the specified terminal.

Consult Packaging Section of Unitrode Integrated Circuits databook for thermal limitations and considerations of packages.

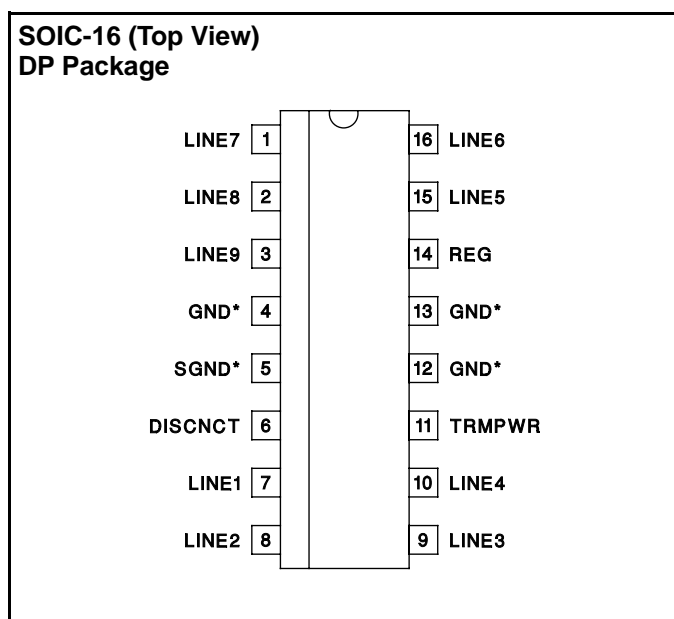
RECOMMENDED OPERATING CONDITIONS

Tempwr Voltage	3.8V to 5.25V
Signal Line Voltage	0V to +5V
Disconnect Input Voltage	0V to Tempwr

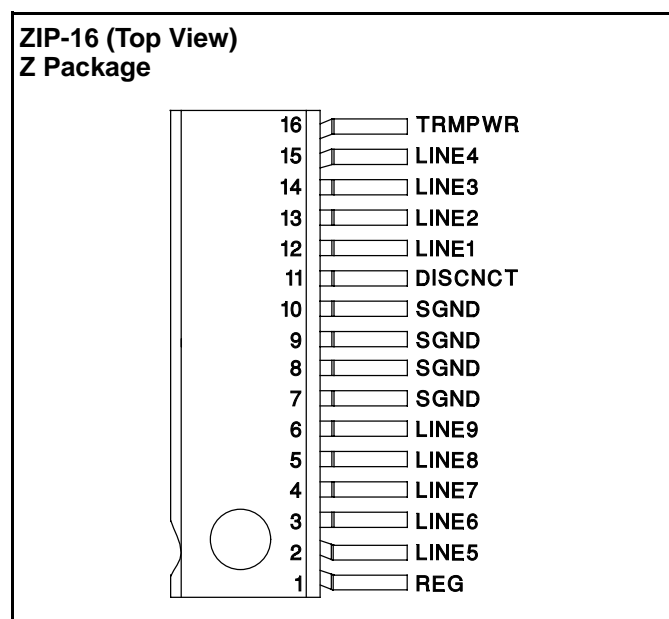
CONNECTION DIAGRAMS



* PWP package pin 5 serves as signal ground; pins 6, 7, 8, 9, 17, 18, 19, and 20 serve as heatsink/ground.



* DP package pin 5 serves as signal ground; pins 4, 12, 13 serve as heatsink/ground.



Note: Drawings are not to scale.

ELECTRICAL CHARACTERISTICS Unless otherwise stated, these specifications apply for $T_A = 0^{\circ}\text{C}$ to 70°C .
 $\text{TRMPWR} = 4.75\text{V}$, $\text{DISCNCT} = 0\text{V}$. $T_A = T_J$.

PARAMETER	TEST CONDITIONS	MIN	TYP	MAX	UNITS		
Supply Current Section							
Tempwr Supply Current	All termination lines = Open		17	23	mA		
	All termination lines = 0.5V		200	225	mA		
Power Down Mode	DISCNCT = Open		100	150	μA		
Output Section (Terminator Lines)							
Terminator Impedance	$\Delta I_{\text{LINE}} = -5\text{mA}$ to -15mA	104.5	110	115.5	Ohms		
Output High Voltage	TRMPWR = 4V (Note 1)	2.7	2.9		V		
Max Output Current	$V_{\text{LINE}} = 0.5\text{V}$	$T_J = 25^{\circ}\text{C}$	-20.3	-21.5	-22.4	mA	
		$0^{\circ}\text{C} < T_J < 70^{\circ}\text{C}$	-19.8	-21.5	-22.4	mA	
Max Output Current	$V_{\text{LINE}} = 0.5\text{V}$, TRMPWR = 4V (Note 1)	$T_J = 25^{\circ}\text{C}$	-19.5	-21.5	-22.4	mA	
		$0^{\circ}\text{C} < T_J < 70^{\circ}\text{C}$	-19.0	-21.5	-22.4	mA	
	$V_{\text{LINE}} = 0.2\text{V}$, TRMPWR = 4V to 5.25V	$0^{\circ}\text{C} < T_J < 70^{\circ}\text{C}$	-21.6	-24.0	-25.4	mA	
Output Leakage	DISCNCT = 4V	TRMPWR = 0V to 5.25V REG = 0V	$V_{\text{LINE}} = 0$ to 4V		10	400	nA
			$V_{\text{LINE}} = 5.25\text{V}$			100	μA
		TRMPWR = 0V to 5.25V, REG = Open $V_{\text{LINE}} = 0\text{V}$ to 5.25V		10	400	nA	
Output Capacitance	DISCNCT = Open, DP Package (Note 2)		3	4.5	pF		
Regulator Section							
Regulator Output Voltage		2.8	2.9	3	V		
Regulator Output Voltage	All Termination Lines = 5V	2.8	2.9	3	V		
Line Regulation	TRMPWR = 4V to 6V		10	20	mV		
Load Regulation	$I_{\text{REG}} = +100\text{mA}$ to -100mA		20	50	mV		
Drop Out Voltage	All Termination Lines = 0.5V		0.7	1	V		
Short Circuit Current	$V_{\text{REG}} = 0\text{V}$	-200	-400	-600	mA		
Sinking Current Capability	$V_{\text{REG}} = 3.5\text{V}$	200	400	600	mA		
Thermal Shutdown			170		$^{\circ}\text{C}$		
Thermal Shutdown Hysteresis			10		$^{\circ}\text{C}$		
Disconnect Section							
Disconnect Threshold		1.3	1.5	1.7	V		
Threshold Hysteresis		100	160	250	mV		
Input Current	DISCNCT = 0V		10	15	μA		

Note 1: Measuring each termination line while other 8 are low (0.5V).

Note 2: Guaranteed by design. Not 100% tested in production.

APPLICATION INFORMATION

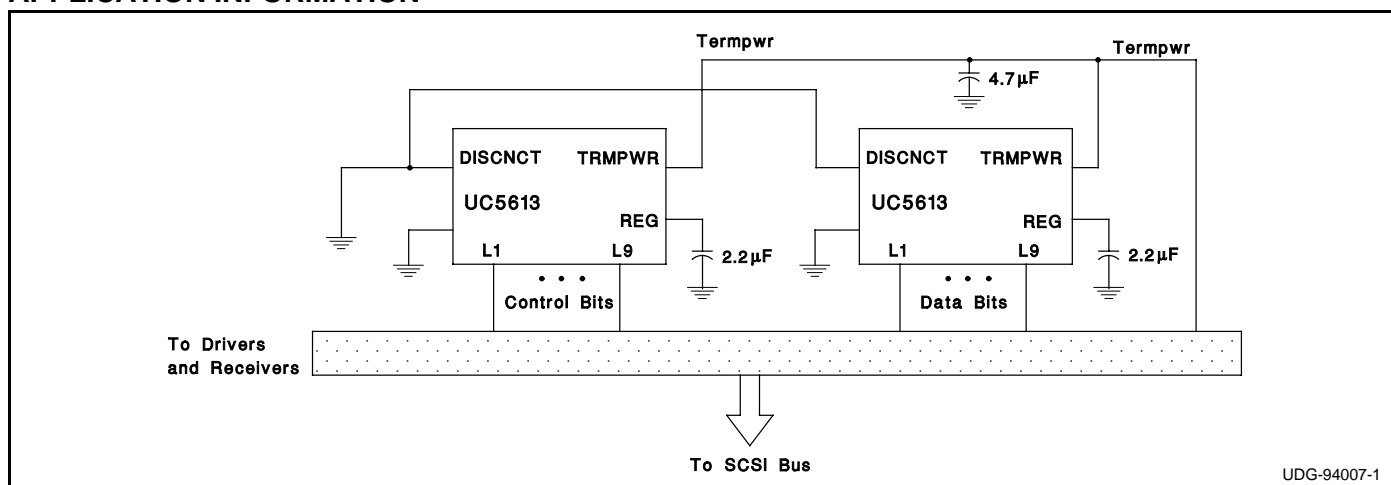


Figure 1: Typical SCSI Bus Configurations Utilizing 2 UC5613 Devices

APPLICATION INFORMATION (cont.)

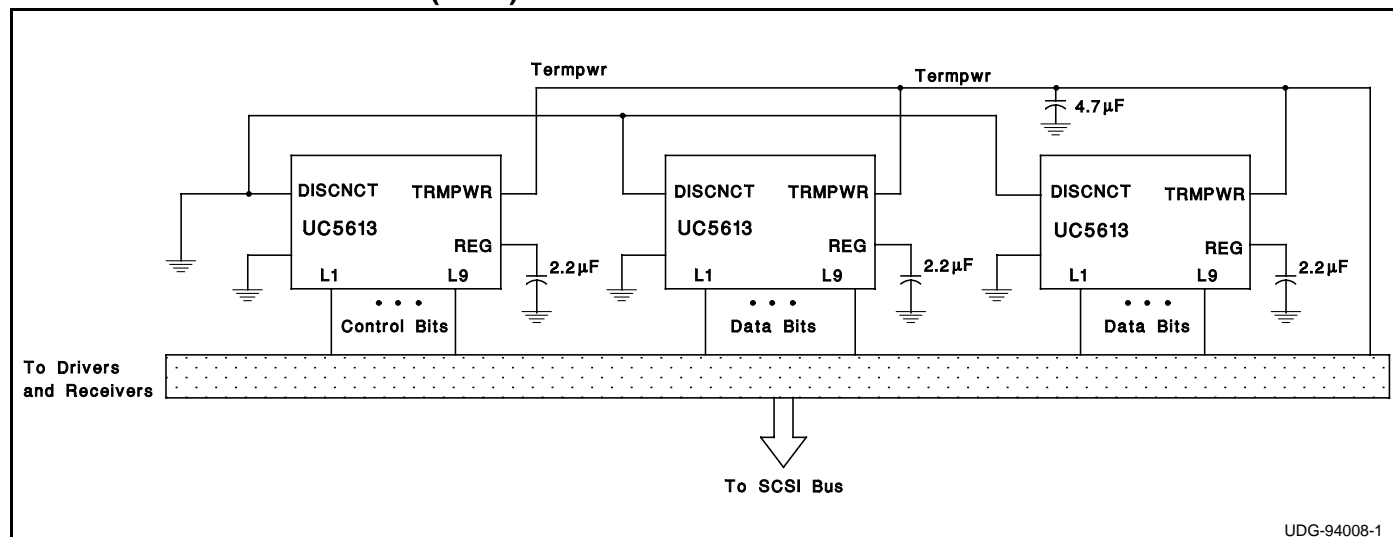


Figure 2: Typical Wide SCSI Bus Configurations Utilizing 3 UC5613 Devices.