

Multi-mode (LVD/SE) SCSI 9 Line Terminator w/ 2.85V Regulator

FEATURES

- Auto Selection Single Ended (SE) or Low Voltage Differential (LVD) Termination
- Meets SCSI-1, SCSI-2, SCSI-3 SPI, Ultra Fast-20, Ultra-2 (SPI-2 LVD) and Ultra 3 Standards
- 2.7V to 5.25V Termpwr Operation
- Differential Failsafe Bias
- Thermal Packaging for Low Junction Temperature and Better MTBF

DESCRIPTION

The UCC5632 Multi-mode SCSI Terminator, both Low Voltage Differential and Single Ended Terminator is both a single ended terminator and a low voltage differential terminator for the transition to the next generation SCSI Parallel Interface (SPI-2). The low voltage differential is a requirement for the higher speeds at a reasonable cost and is the only way to have adequate skew budgets. The transceivers can be incorporated into the controller, unlike SCSI high power differential (EIA485) which requires external transceivers. Low Voltage differential is specified for Ultra-2 (Fast-40) and Ultra-3 (Fast-80), but has the potential of speeds up to Fast-320.

The UCC5630 cannot be used with SCSI differential EIA485, it will shutdown when it sees high power differential to protect the bus. The pinning for high power differential is not the same as LVD SCSI or single ended and the bias voltage, current and power are also different for EIA485 differential.

ABSOLUTE MAXIMUM RATINGS

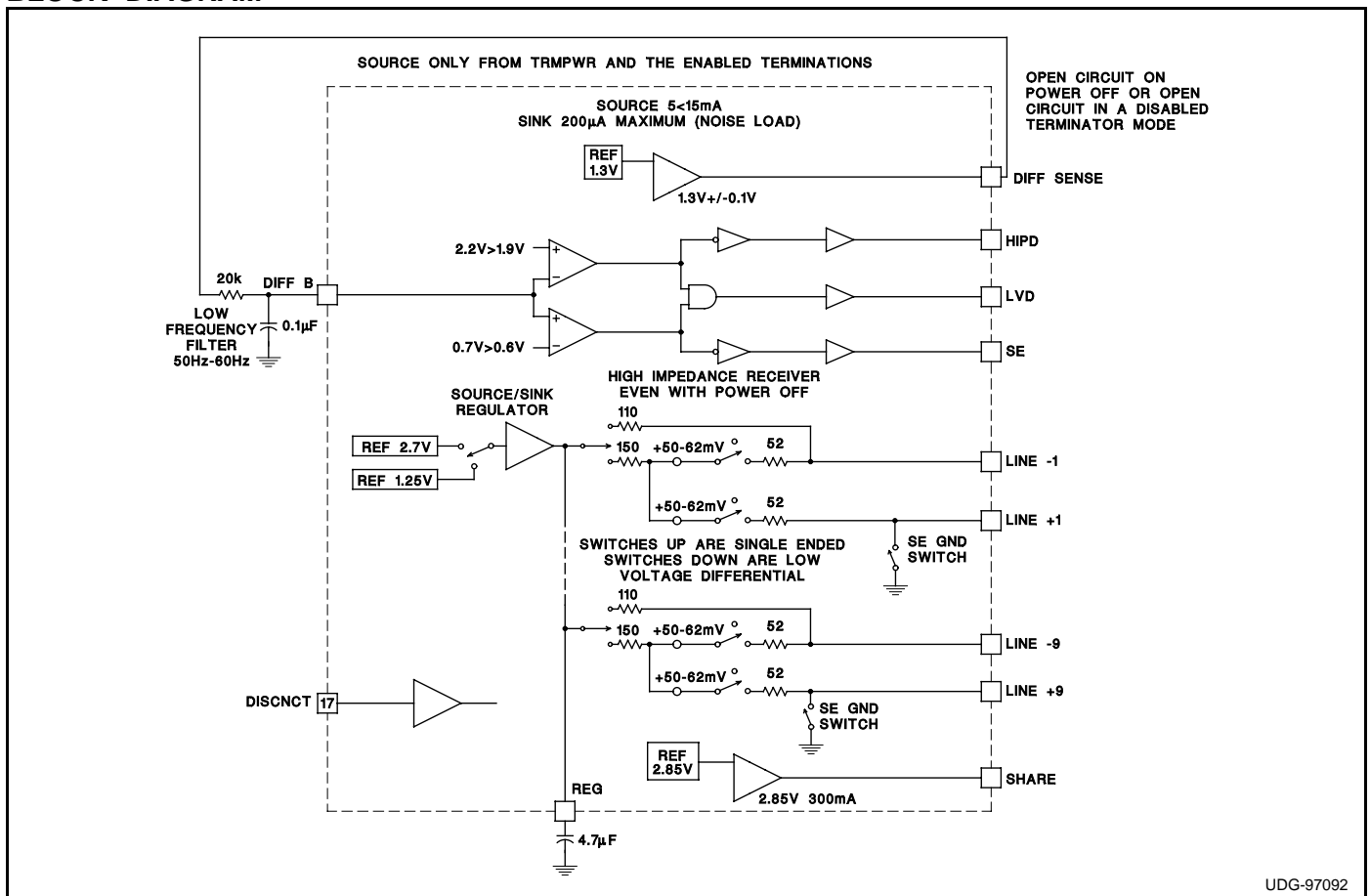
TERMPWR Voltage	+6V
Signal Line Voltage	0V to TERMPWR
Package Power Dissipation	2W
Storage Temperature	-65°C to +150°C

Junction Temperature	-55°C to +150°C
Lead Temperature (Soldering, 10 sec.)	+300°C

RECOMMENDED OPERATING CONDITIONS

TERMPWR Voltage	2.7V to 5.25V
-----------------------	---------------

BLOCK DIAGRAM



UDG-97092